

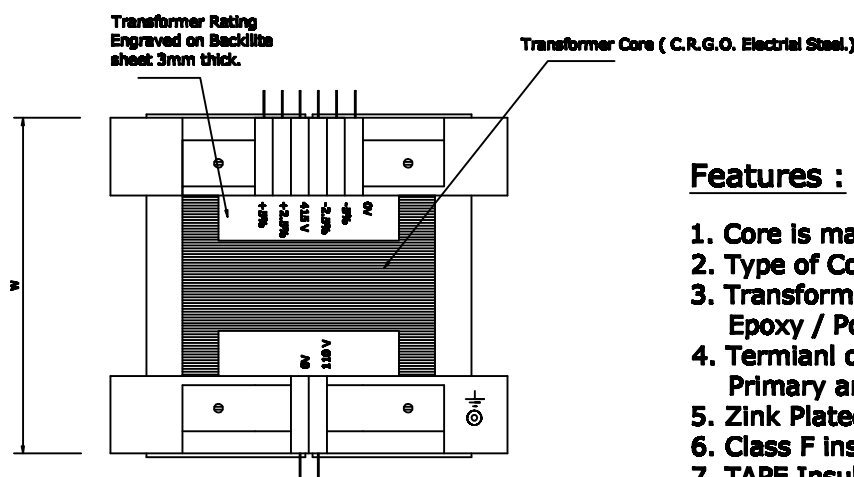
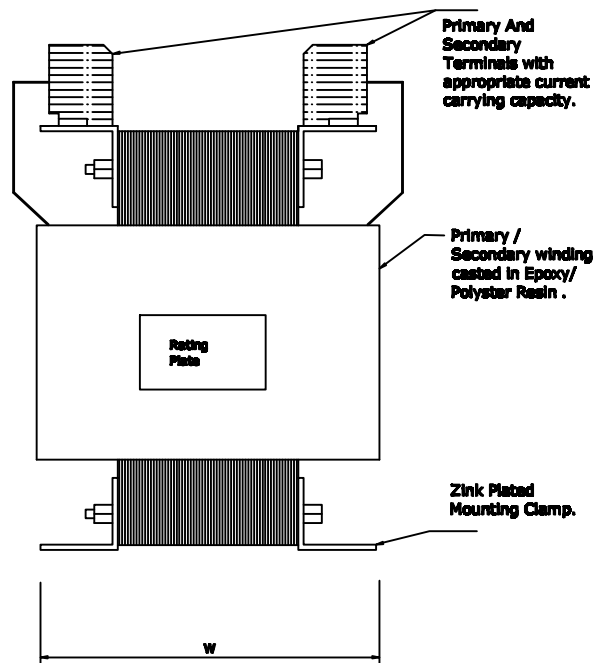
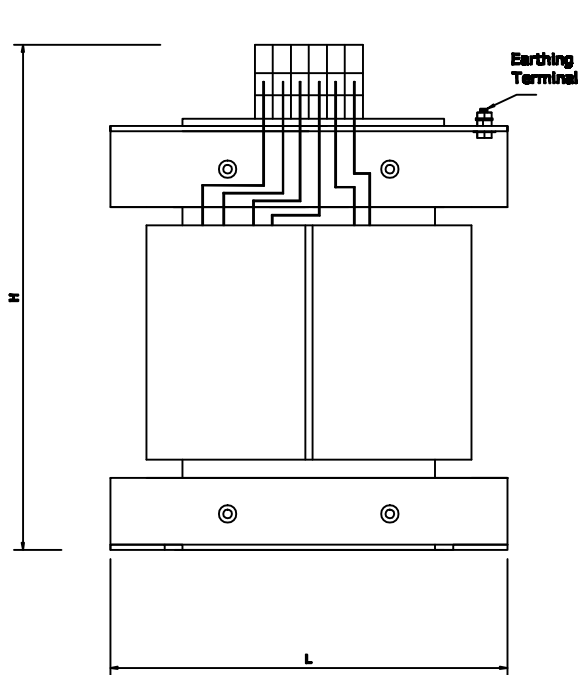


make

### Epoxy/Polyster Resin Cast Control Transformer.

Type	ECTrfo-Epoxy Cast Control Transformer
Type	RCTrfo-Polyster Cast Control Transformer
Name	Core Type Control Transformer.
Primary	415 V
Secondary	240V / 110V / 24V
Tapping	+/_ 5 % @ 2.5%
Availability	On Ordering

General Specifications	
Standards	IS 12021
Insulation Class (EPOXY)	E (Amb.+ 75°C)
Insulation Class (Polyster)	Y (Amb.+ 45°C)
Maximum Service voltage	0.66 kv
Frequency	50/60 Hz
Insulation Level	3 kv for 1 minute



#### Features :

1. Core is made up of CRGO Electrical Steel.
2. Type of Construction : Core Type .
3. Transformer Coils are casted in Epoxy / Polyster resin.
4. Termianl of Suitable Amper capacity for Primary and secondary Termination.
5. Zink Plated Mounting Clamp.
6. Class F insulation on request.
7. TAPE Insulated available on request .

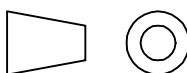
Refer Specification Sheet No : E/RCTrfo Spec.

DATE: 21/05/09 REV: 0



**RECO Transformers Pvt. Ltd.**  
LONAVALA - 410401.

PROJECTION



NAME : Epoxy/Resin Cast Control Transformer.

DRG. NO. : **E/RCTrfo**