



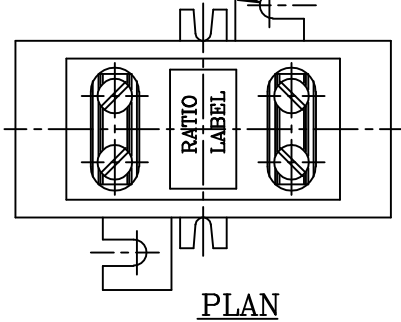
MAKE

**ABS CASING BOX TYPE BAR PRIMARY METERING CT.**

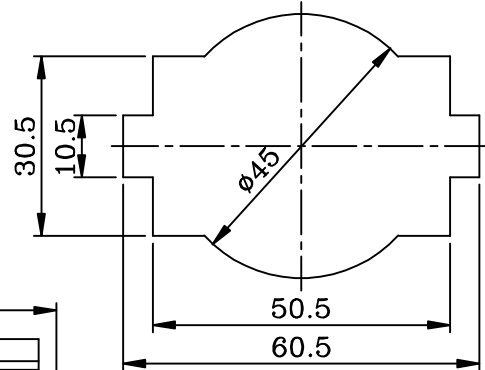
Type	ABS CASING BAR PRIMARY METERING CT.
Availability	ON ORDERING

General Specifications	
Standards	IS 2705, IEC 60044-1
Insulation Class	E ( 120° C )
Maximum Service voltage	0.66 kV
Frequency	50/60 Hz
Insulation Level : 3 kv for 1 minute	
S.T.C. Rating : 50 KArms For 1 Sec.	

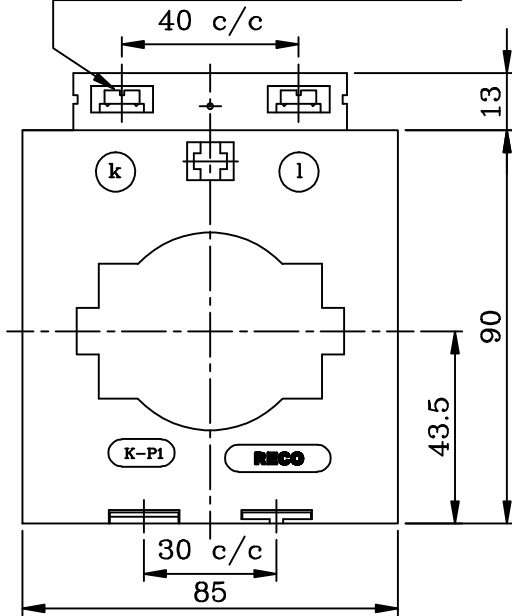
2 OPEN SLOT  $\phi 10$  Zink Plated Panel Mounting Clamp.



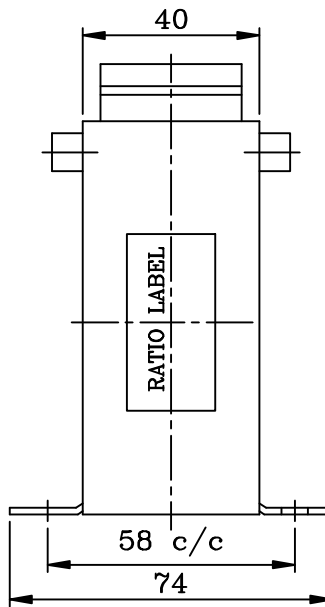
PLAN



2 SECONDARY TERMINALS M5.



ELEVATION



SIDE VIEW

S.R. No	Primary (Amp)	Secondary : 1 Amp & 5 Amp	
		Burden VA	Accuracy Class
1	200	2.5	1
2	250	5	1
3	300	2.5/5	0.5/1
4	400	2.5/5	0.5/1
5	500	5/10	0.5/1
6	600	5/15	0.5/1
7	750	10/15	0.5/1
8	800	10/15	0.5/1
9	1000	10/15	0.5/1
10	1200	10/15	0.5/1
11	1250	10/15	0.5/1

Features:

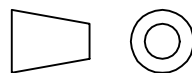
1. Din Rail Fitting Arrangement.
2. Panel Mounting Clamp Arrangement.
3. Cable / Busbar Holding Clamps.
4. Ultrasonically welded ABS FR Grade Casing.
5. Light Weight .
6. Low Price.

DATE : 21/05/09. REV. : 0



RECO TRANSFORMERS  
PVT. LTD.  
LONAVALA - 410401.

PROJECTION



NAME :

ABS CASING BOX TYPE CT.

DRG. NO. :

REC-051