

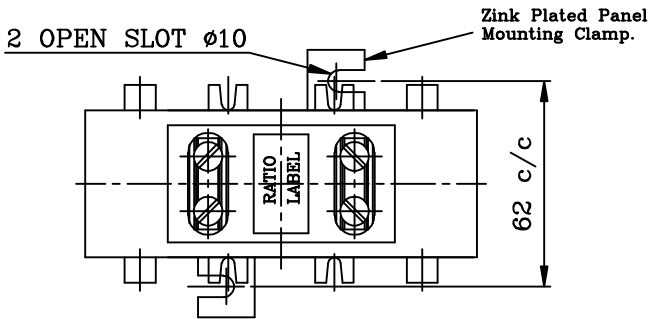


MAKE

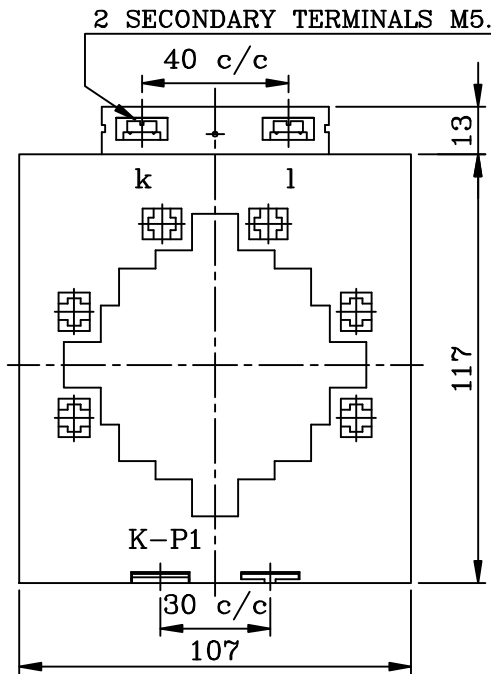
# ABS CASING BOX TYPE BAR PRIMARY METERING CT.

Type	ABS CASING BAR PRIMARY METERING CT.
Availability	ON ORDERING

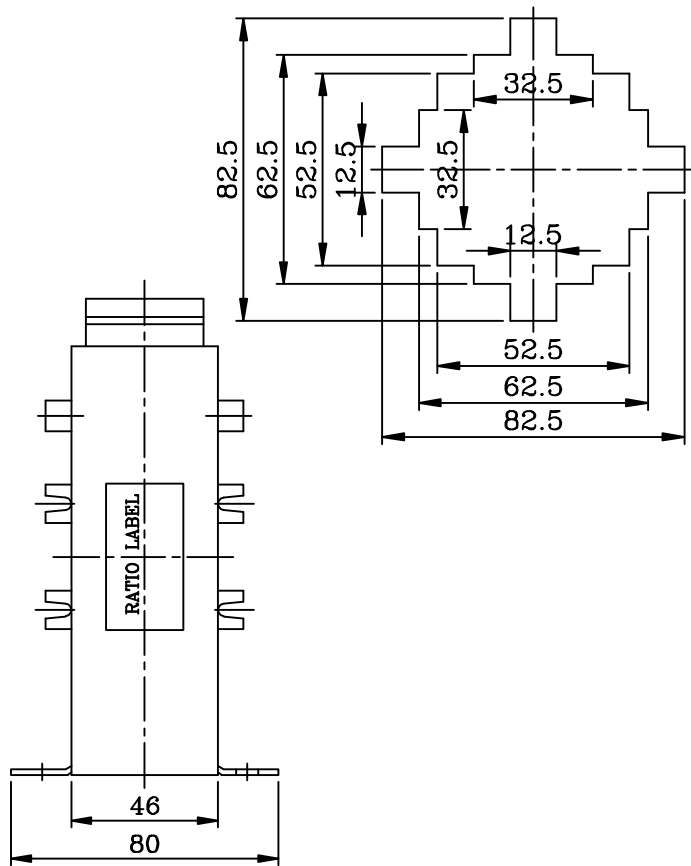
General Specifications	
Standards	IS 2705, IEC 60044-1
Insulation Class	E ( 120° C )
Maximum Service voltage	0.66 kV
Frequency	50/60 Hz
Insulation Level : 3 kv for 1 minute	
S.T.C. Rating : 50 KArms For 1 Sec.	



PLAN



ELEVATION



SIDE VIEW

S.R. No	Primary (Amp)	Secondary : 1 Amp & 5 Amp	
		Burden VA	Accuracy Class
1	400	5/7.5	0.5/1
2	500	5/7.5	0.5/1
3	600	5/7.5	0.5/1
4	750	10/15	0.5/1
5	800	5/10	0.5/1
6	1000	5/10	0.5/1
7	1200	10/15	0.5/1
8	1250	10/15	0.5/1
9	1500	10/15	0.5/1
10	1600	10/15	0.5/1
11	2000	10/15	0.5/1

### Features:

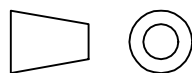
1. Din Rail Fitting Arrangement.
2. Panel Mounting Clamp Arrangement.
3. Cable / Busbar Holding Clamps.
4. Ultrasonically welded ABS FR Grade Casing.
5. Light Weight .
6. Low Price.

DATE : 21/05/09. REV. : 0



RECO TRANSFORMERS  
PVT. LTD.  
LONAVALA - 410401.

PROJECTION



NAME :  
ABS CASING BOX TYPE CT.

DRG. NO. : REC-06