



MAKE

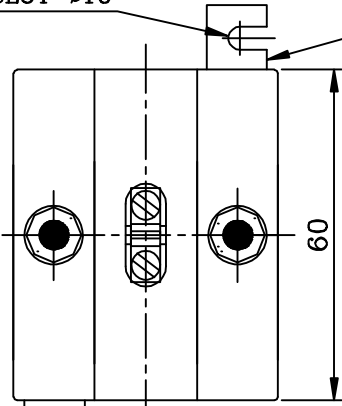
**ABS CASING BOX TYPE WOUND PRIMARY METERING CT.**

Type	ABS CASING WOUND PRIMARY METERING CT.
Availability	ON ORDERING

General Specifications	
Standards	IS 2705, IEC 60044-1
Insulation Class	E ( 120° C )
Maximum Service voltage	0.66 kV
Frequency	50/60 Hz
Insulation Level : 3 kv for 1 minute	
S.T.C. Rating : 50x In KArms For 1 Sec. ( In : Rated Primary Current.)	

2 OPEN SLOT  $\phi 10$

Zink Plated Panel Mounting Clamp.

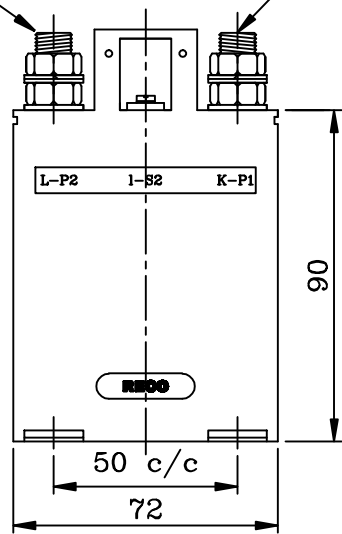


Primary Connetion : Brass Bolt 8mm

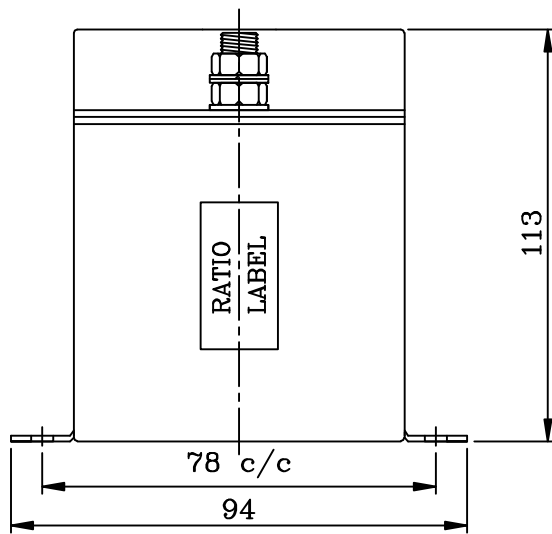
Brass Bolt 8mm

2 SECONDARY TERMINALS M5.

**TOP VIEW**



**ELEVATION**



**SIDE VIEW**

S.R. No	Primary (Amp)	Secondary : 1 Amp & 5 Amp	
		Burden VA	Accuracy Class
1	5	10/15	0.5/1
2	10	10/15	0.5/1
3	15	10/15	0.5/1
4	20	10/15	0.5/1
5	25	10/15	0.5/1
6	30	10/15	0.5/1
7	40	10/15	0.5/1
8	50	10/15	0.5/1
9	60	10/15	0.5/1
10	75	10/15	0.5/1

**Features:**

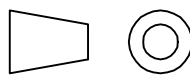
1. Panel Mounting Clamp Arrangement.
2. Ultrasonically welded ABS FR Grade Casing.
3. Light Weight .
4. Low Price.

DATE : 21/05/09. REV. : 0



**RECO TRANSFORMERS**  
PVT. LTD.  
LONAVALA - 410401.

PROJECTION



NAME :

**ABS CASING BOX TYPE CT.**

DRG. NO. :

**REC-W03**