

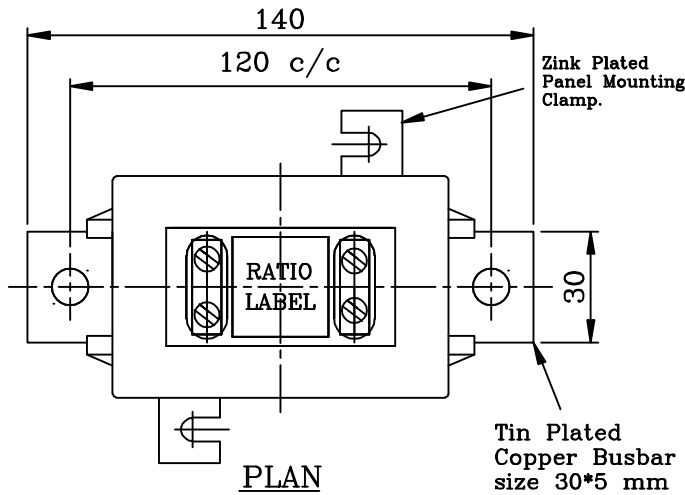


MAKE

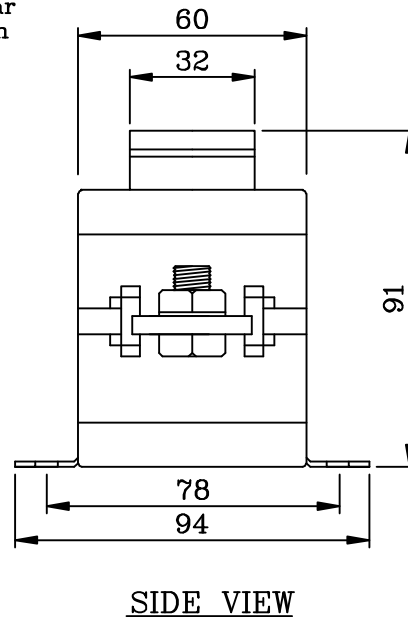
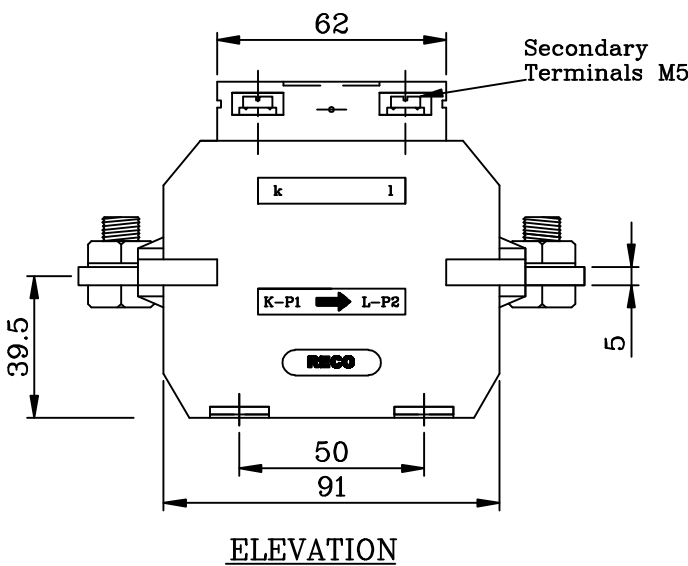
ABS CASING BOX TYPE WOUND PRIMARY METERING CT.

Type	ABS CASING WOUND PRIMARY METERING CT.
Availability	ON ORDERING

General Specifications	
Standards	IS 2705, IEC 60044-1
Insulation Class	E (120° C)
Maximum Service voltage	0.66 kV
Frequency	50/60 Hz
Insulation Level : 3 kv for 1 minute	
S.T.C. Rating : 50x In KArms For 1 Sec. (In : Rated Primary Current.)	



Primary Connection : Tin Plated Copper Busbar size 30*5 mm



S.R. No	Primary (Amp)	Secondary : 1 Amp & 5 Amp	
		Burden VA	Accuracy Class
1	25	10/15	0.5/1
2	30	10/15	0.5/1
3	40	10/15	0.5/1
4	50	10/15	0.5/1
5	60	10/15	0.5/1
6	75	10/15	0.5/1
7	80	10/15	0.5/1
8	100	10/15	0.5/1
9	125	10/15	0.5/1
10	150	10/15	0.5/1

Features:

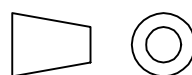
1. Panel Mounting Clamp Arrangement.
2. Ultrasonically welded ABS FR Grade Casing.
3. Light Weight .
4. Low Price.

DATE : 21/05/09. REV. : 0



RECO TRANSFORMERS
PVT. LTD.
LONAVALA - 410401.

PROJECTION



NAME :

ABS CASING BOX TYPE CT.

DRG. NO. :

REC-W04