



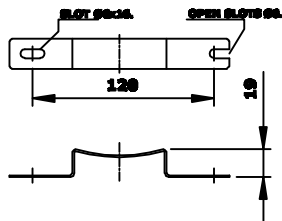
make

Tape Insulated Ring Type Metering Current Transformer

Type	TM-Tape Insulated Metering
Name	RingType Metering CT
Primary	50 Amp to 4000 Amp
Secondary	5 Amp
Availability	EX-Stock

Construction

Core made of CRGO electrical steel.
The secondary winding is insulated with black Tape.
Secondary terminal will have lugs to accomodate M5 bolt.



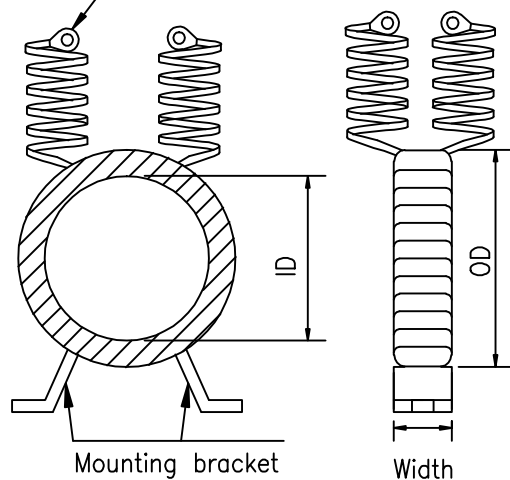
Mounting Clamp

Range and Specification

Category No.	Ratio (A)	Burden (VA)	Class	Dimensions (mm)		
				ID	OD	Width
TM5A-1	50/5	5	5	30	85	50
TM5A-2	60/5	5	5	30	85	50
TM5A-3	75/5	5	5	30	85	50
TM5A-4	100/5	5	1	30	85	50
TM5A-5	150/5	5	1	30	85	50
TM5A-6	200/5	10	1	50	100	45
TM5A-7	250/5	10	1	50	100	45
TM5A-8	300/5	10	1	50	100	35
TM5A-9	400/5	15	1	60	105	35
TM5A-10	500/5	15	1	60	105	35
TM5A-11	600/5	15	1	60	105	35
TM5A-12	800/5	15	1	104	138	34
TM5A-13	1000/5	15	1	104	138	34
TM5A-14	1200/5	15	1	104	138	34
TM5A-15	1500/5	15	1	115	160	34
TM5A-16	1600/5	15	1	115	160	34
TM5A-17	2000/5	15	1	115	160	34
TM5A-18	2500/5	15	1	140	185	34
TM5A-19	3000/5	15	1	140	185	34
TM5A-20	4000/5	15	1	140	185	34

Application	
Current measurement from 50A to 4000A	
General Specifications	
Standards	IS 2705, IEC 60044-1
Insulation Class	Y (Amb.+ 45°C)
Maximum Service voltage	0.66 kV
Frequency	50/60 Hz
Insulation Level	3 kv for 1 minute
Features	
1) CTs are provided with bore (ID).	
2) Terminations are provided in the form of flying leads of 9-inch length with Lug M5	
3) Optional Terminal Arrangement	
4) F Class Insulation on request.	
Non-standard option at extra cost	
1) Zinc plated Mounting Clamp.	
2) Terminal block for secondary.	

Cpper Lugs M5 with protective Sleeve.
secondary Termination.

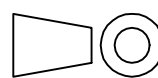


Date : 21/05/09 REV : 0



RECO Transformers Pvt. Ltd.
LONAVALA - 410401.

PROJECTION



NAME : STANDARD TAPE WOUND
METERING C.T. 5A sec.

DRG. NO. : **TMO 5A**