



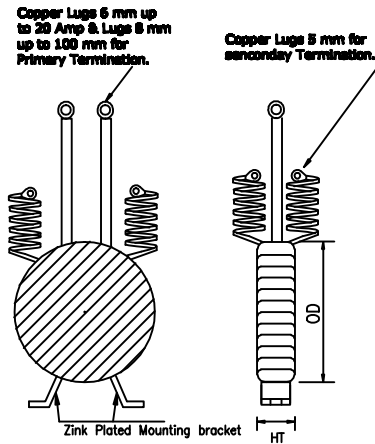
# Tape Insulated Wound Primary Metering Current Transformer

Type	TWM-Tape Insulated Wound Primary Metering
Name	Wound Primary Metering
Primary	1 A to 100 Amp
Secondary	5 Amp AND 1 AMP
Availability	On Ordering

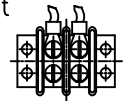
Application	
Primary Current Measurement	
General Specifications	
Standards	IS 2705, IEC 60044-1
Insulation Class	Y (Amb.+ 45°C)
Maximum Service voltage	0.66kV
Frequency	50/60 Hz
Insulation Level	3 kv for 1 minute
Features	
2) Terminations are provided in the form of flying leads of 9-inch length with Lug M5 for Secondary.	
3) Optional Terminal Arrangement for Secondary.	
4) F Class Insulation on request.	
5) Zinc plated Mounting Clamp.	
Non-standard option at extra cost	
1) Terminal block for secondary.	

### Construction

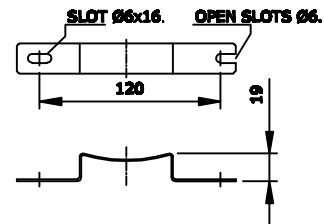
Core made of CRGO electrical steel.  
The secondary winding is insulated with black Tape.  
Secondary terminal will have lugs to accommodate M5 bolt.  
**Primary winding in fiber sleeve having Lugs as per Amper Rating**



3) Optional Terminal Arrangement for Secondary.



### Mounting Clamp



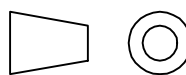
Note:  
Same Dimensions for  
1 Amp & 5 Amp Secondary

TWM 1A & 5 A					
Cat No.	Primary Current	VA	Class	Dimensions in (mm)	
				OD	HT
TWM 1A & 5A -1	1	5/10/15	1	100	50
TWM 1A & 5A -2	5	5/10/15	1	100	50
TWM 1A & 5A -3	10	5/10/15	1	100	50
TWM 1A & 5A -4	15	5/10/15	1	100	50
TWM 1A & 5A -5	25	5/10/15	1	100	50
TWM 1A & 5A -6	30	5/10/15	1	100	50
TWM 1A & 5A -7	50	5/10/15	1	100	50
TWM 1A & 5A -8	60	5/10/15	1	100	50
TWM 1A & 5A -9	75	5/10/15	1	100	50
TWM 1A & 5A -10	100	5/10/15	1	100	50



**RECO Transformers Pvt. Ltd.**  
LONAVALA - 410401.

PROJECTION



NAME : **Tape Wound Primary Metering C.T. 5A/1A sec**

DRG. NO. : **TWM 5A/1A**

DATE: 21/05/09 REV: 0