



make

### Tape Insulated Wound Primary Protection Class C.T.

Type	TWP-Tape Insulated Wound Primary C.T.
Name	Wound Primary Protection
Primary	1 A to 100 Amp
Secondary	5 Amp & 1 Amp
Availability	On Ordering

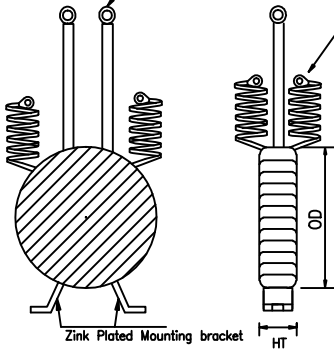
Application	
Supply Fault Current signal to Protective Relay.	
General Specifications	
Standards	IS 2705, IEC 60044-1
Insulation Class	Y (Amb.+ 45°C)
Maximum Service voltage	0.66kV
Frequency	50/60 Hz
Insulation Level	3 kv for 1 minute

#### Construction

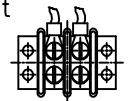
Core made of CRGO electrical steel.  
 The secondary winding is insulated with black Tape.  
 Secondary terminal will have lugs to accomodate M5 bolt.  
**Primary winding in fiber sleeve having Lugs as per Amper Rating**

**Copper Lugs 6 mm up to 20 Amp & Lugs 8 mm up to 100 mm for Primary Termination.**

**Copper Lugs 5 mm for secondary Termination.**



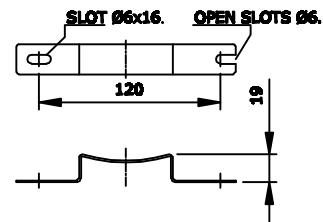
Features	
2) Terminations are provided in the form of flying leads of 9-inch length with Lug M5 for Secondary.	
3) Optional Terminal Arrangement for Secondary.	
4) F Class Insulation on request.	
5) Zinc plated Mounting Clamp.	
Non-standard option at extra cost	
1) Terminal block for secondary.	



DATE: 21/05/09 REV: 0

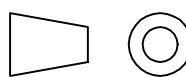
TWP 1 A & 5 A					
Cat. No.	Primary Current	VA	Class	OVERALL DIMENSION (mm)	
				OD	HT
TWP 1A & 5 A-1	1	5	5P10	125	95
TWP 1A & 5 A-2	5	5	5P10	125	95
TWP 1A & 5 A-3	10	5	5P10	125	95
TWP 1A & 5 A-4	15	5	5P10	125	95
TWP 1A & 5 A-5	25	5	5P10	125	95
TWP 1A & 5 A-6	30	5	5P10	125	95
TWP 1A & 5 A-7	50	5	5P10	125	95
TWP 1A & 5 A-8	60	5	5P10	125	95
TWP 1A & 5 A-9	75	5	5P10	125	95
TWP 1A & 5 A-10	100	5	5P10	125	95
TWP 1A & 5 A-11	25	10	5P10	145	110
TWP 1A & 5 A-12	50	10	5P10	145	110
TWP 1A & 5 A-13	75	10	5P10	145	110
TWP 1A & 5 A-14	100	10	5P10	145	110
TWP 1A & 5 A-15	25	15	5P10	145	115
TWP 1A & 5 A-16	50	15	5P10	145	115
TWP 1A & 5 A-17	75	15	5P10	145	115
TWP 1A & 5 A-18	100	15	5P10	145	115

#### Mounting Clamp



**RECO Transformers Pvt. Ltd.**  
 LONAVALA - 410401.

#### PROJECTION



NAME : Tape Wound Primary Protection  
Class C.T. Secondary 1A/5A

DRG. NO. : **TWP 1A\_5A**